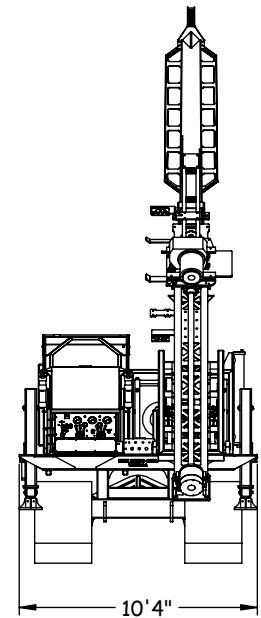
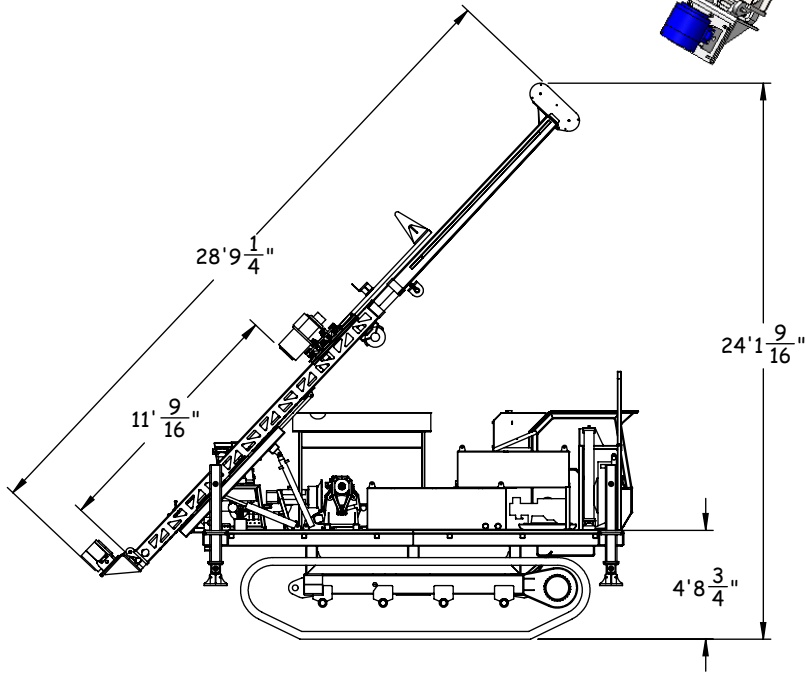
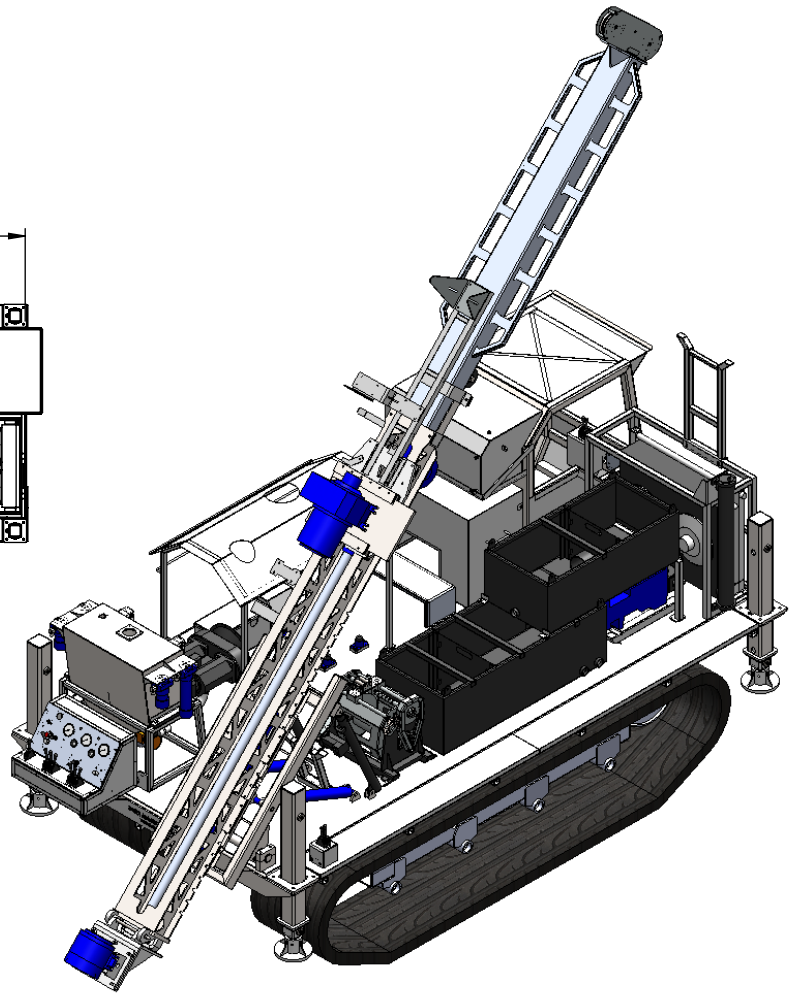


COMPLETE FINISHED DRILL  
WEIGHT APPROX.  
48 000LBS



**PROPRIETARY AND CONFIDENTIAL**  
THE INFORMATION CONTAINED IN THIS DRAWING IS THE SOLE PROPERTY OF ZINEX MINING CORP. ANY REPRODUCTION IN PART OR AS A WHOLE WITHOUT THE WRITTEN PERMISSION OF ZINEX MINING CORP. IS PROHIBITED.

E	
D	
C	
B	
A	PART CREATION
REV	Description

DIMENSIONS ARE IN INCHES  
TOLERANCES:  
FRACTIONAL  $\pm 1/64$   
ANGULAR  $\pm 0.5$  DEG  
BEND  $\pm 0.5$  DEG  
X.X  $\pm 0.125$   
X.XX  $\pm 0.05$   
X.XXX  $\pm 0.005$

MATERIAL

PROCESS

DO NOT SCALE DRAWING

	NAME	DATE
DRAWN		
CHECKED		
ENG APPR.		
MFG APPR.		
Q.A.		
COMMENTS:		

**ZMC** ZINEX MINING CORP.

COMPLETE DRILL ASSY

SIZE	DWG. NO.	REV.
<b>A</b>	AG5-0026	<b>A</b>
SCALE: 1:100	WEIGHT: 42817.47 LBS	SHEET 3 OF 3